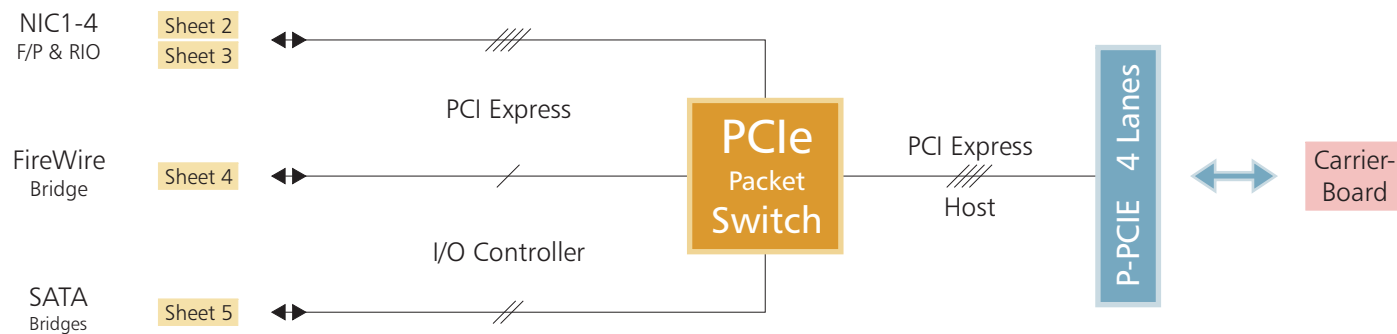


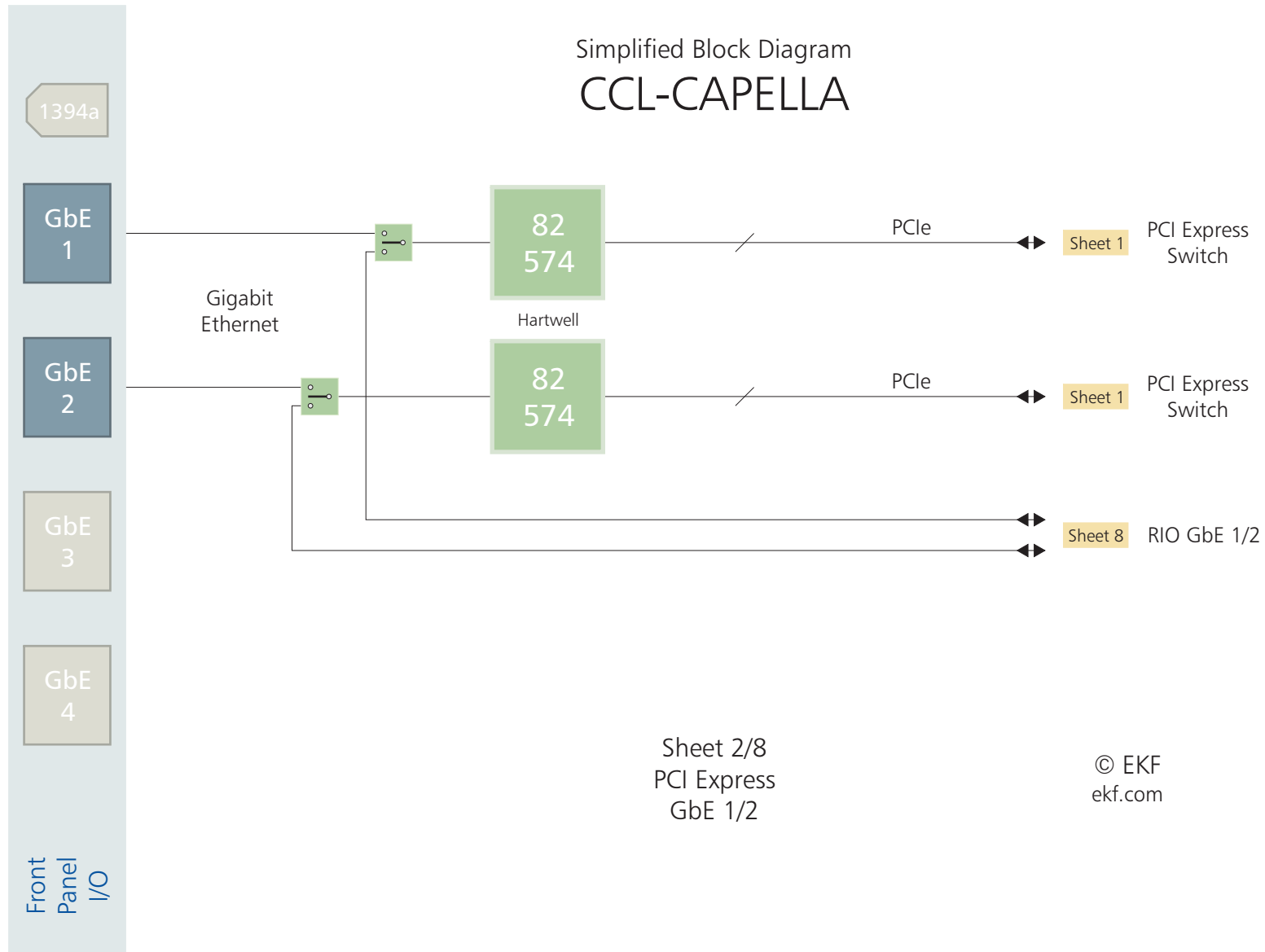
# Simplified Block Diagram CCL-CAPELLA



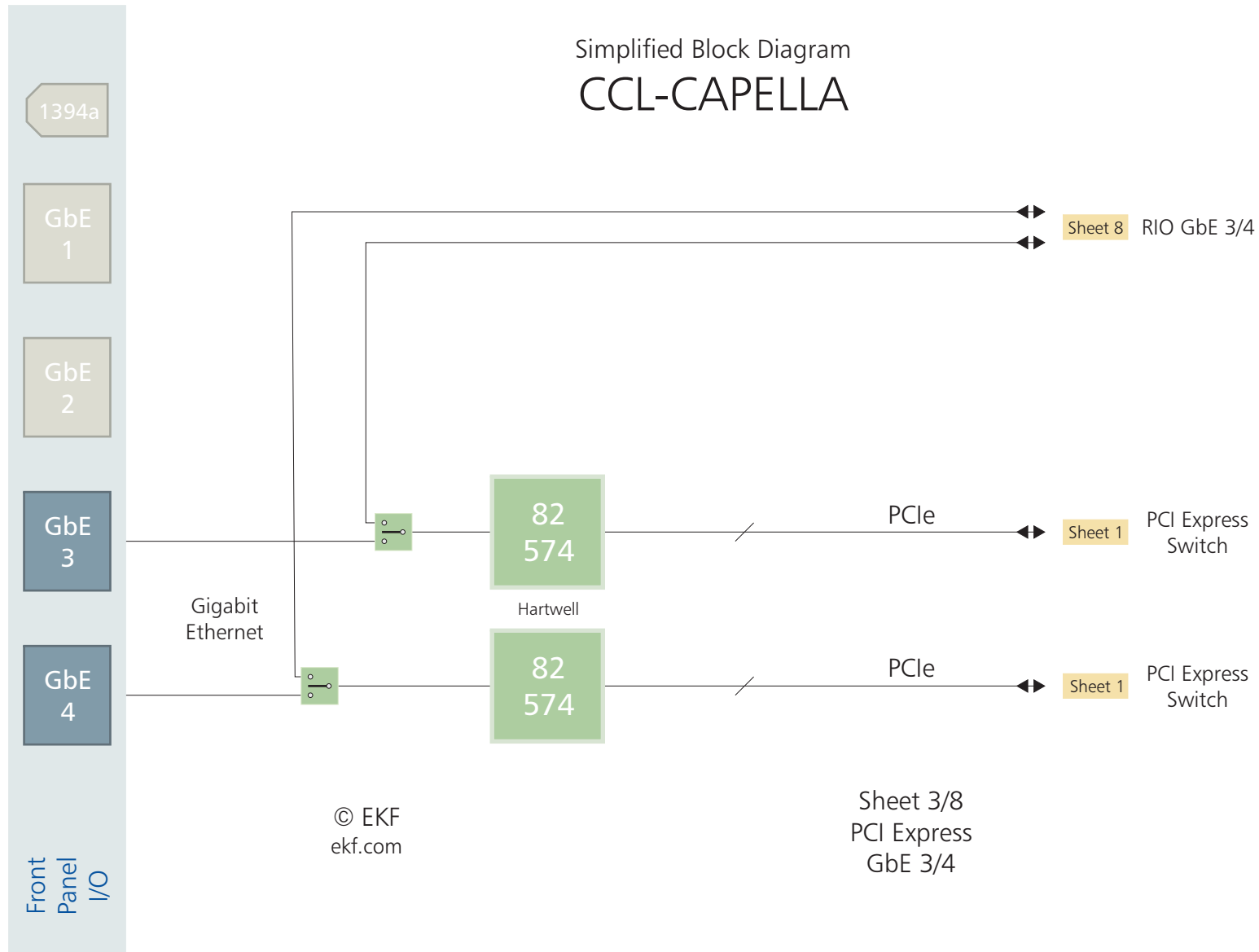
Sheet 1/8  
PCI Express  
3-Port/12-Lane  
Packet Switch

© EKF  
ekf.com

# Simplified Block Diagram CCL-CAPELLA

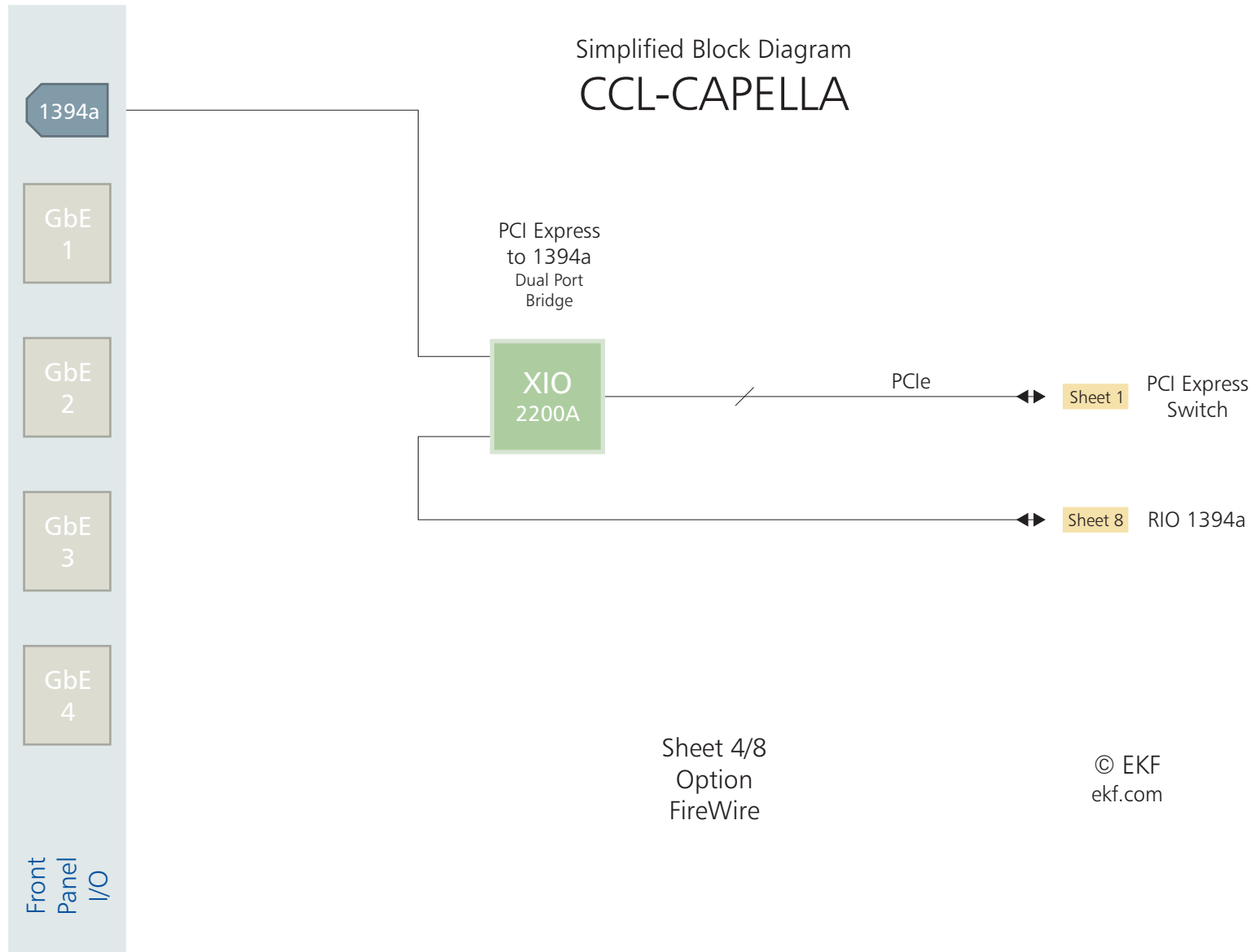


# Simplified Block Diagram CCL-CAPELLA



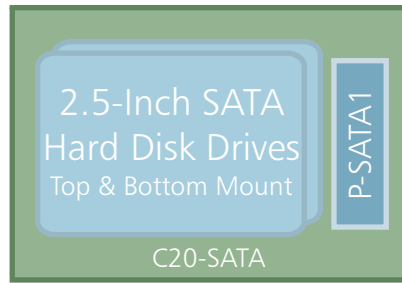
Sheet 3/8  
PCI Express  
GbE 3/4

# Simplified Block Diagram CCL-CAPELLA



Sheet 4/8  
Option  
FireWire

© EKF  
ekf.com



Optional Single/Dual Drive  
C20-SATA  
Hard Disk Mezzanine Module

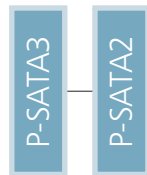
SATA



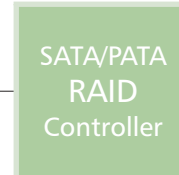
SATA II  
3Gbps

PCle

Sheet 1 P-PCIE



SATA

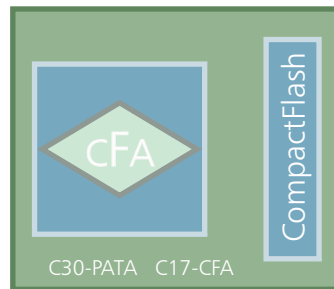


PCle

Sheet 1 P-PCIE

J1 Sheet 8

Optional RIO  
SATA Drive(s)



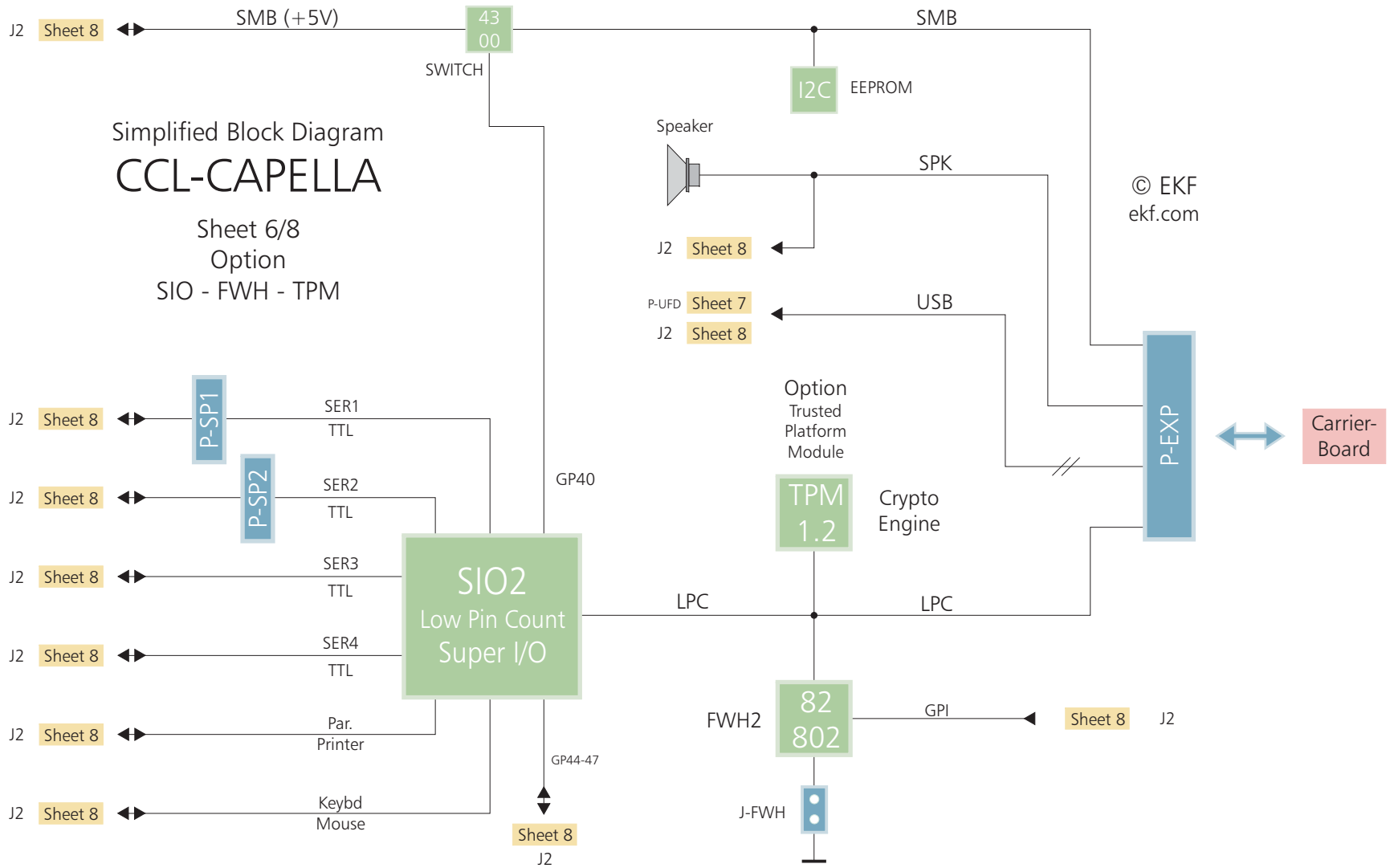
Optional  
C30-PATA (top mount)  
C17-CFA (bottom mount)  
CompactFlash / SSD Module



PATA

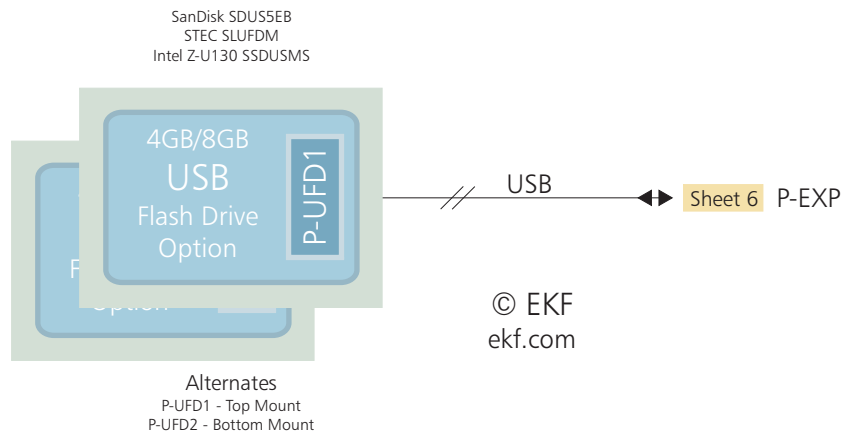
Simplified Block Diagram  
CCL-CAPELLA

Sheet 5/8  
Option  
SATA Storage



# Simplified Block Diagram CCL-CAPELLA

Sheet 7/8  
USB Flash Drive



# Simplified Block Diagram CCL-CAPELLA

Sheet 8/8  
J1 - J2  
Rear I/O  
Option

