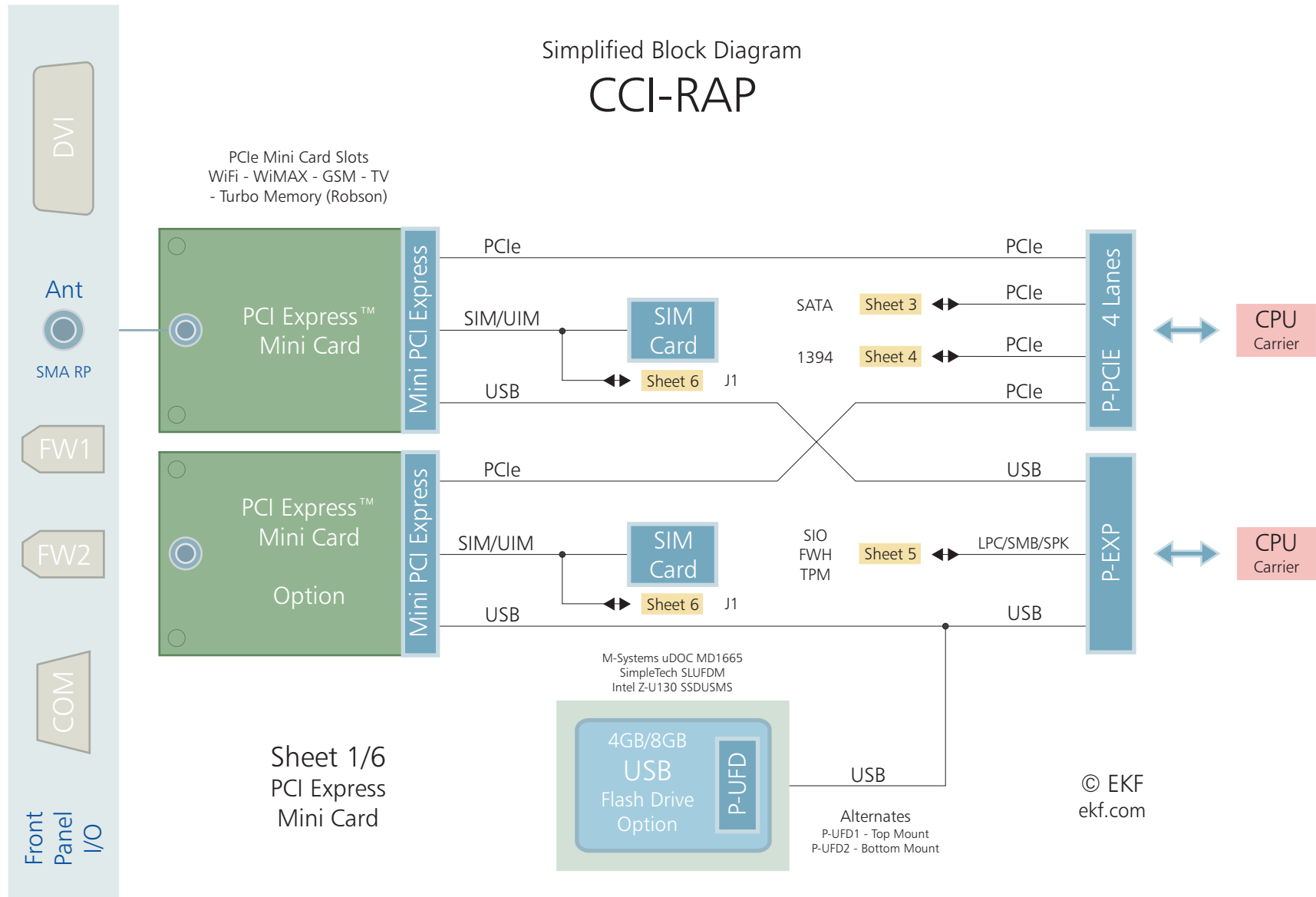
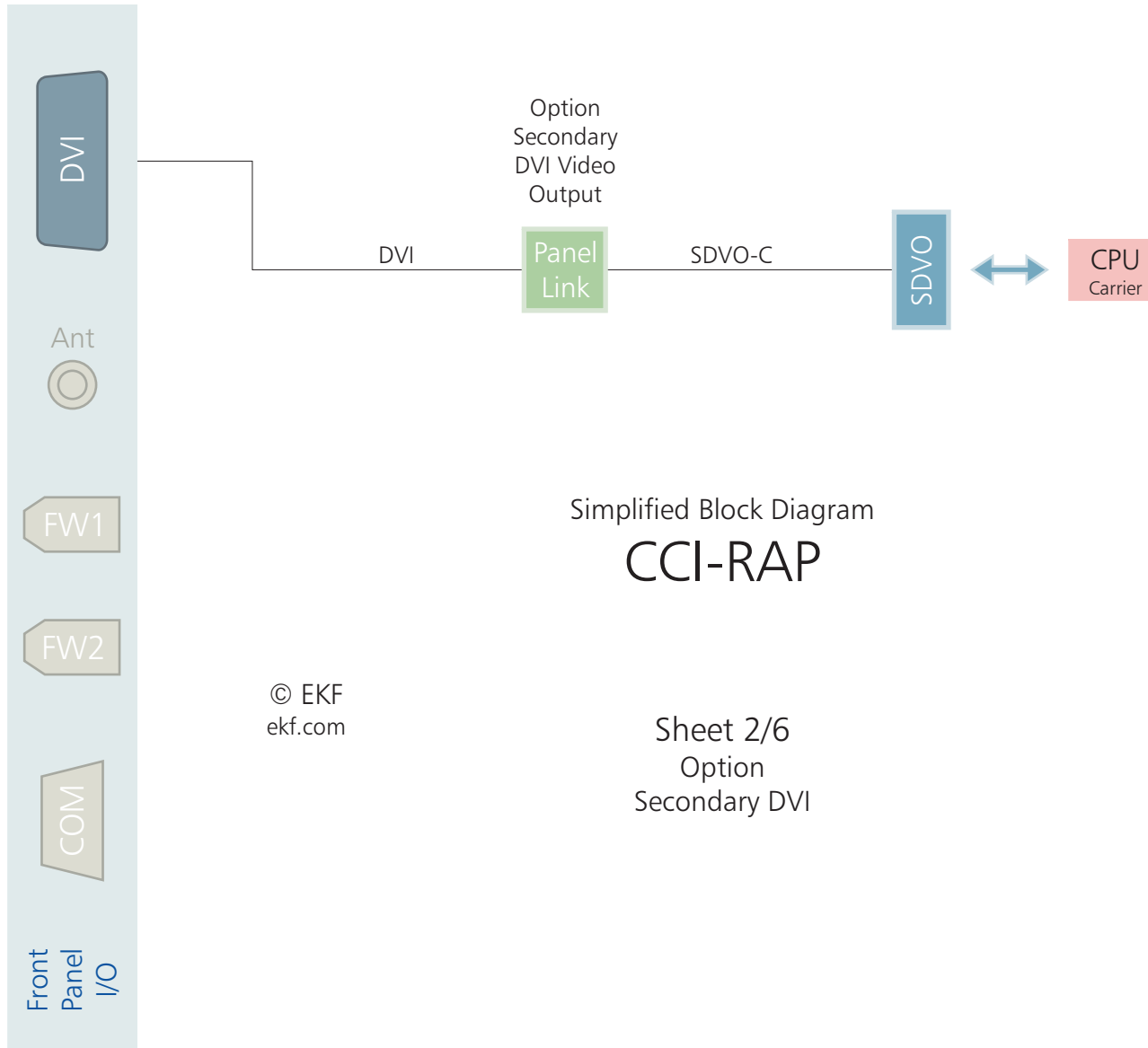


Simplified Block Diagram CCI-RAP

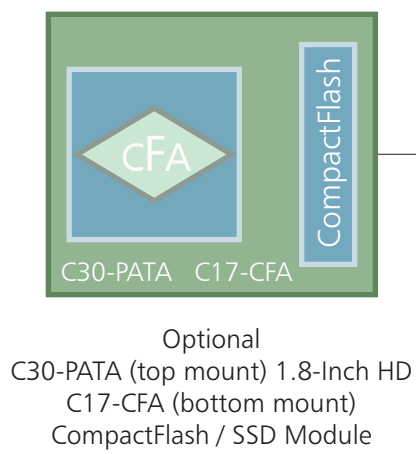
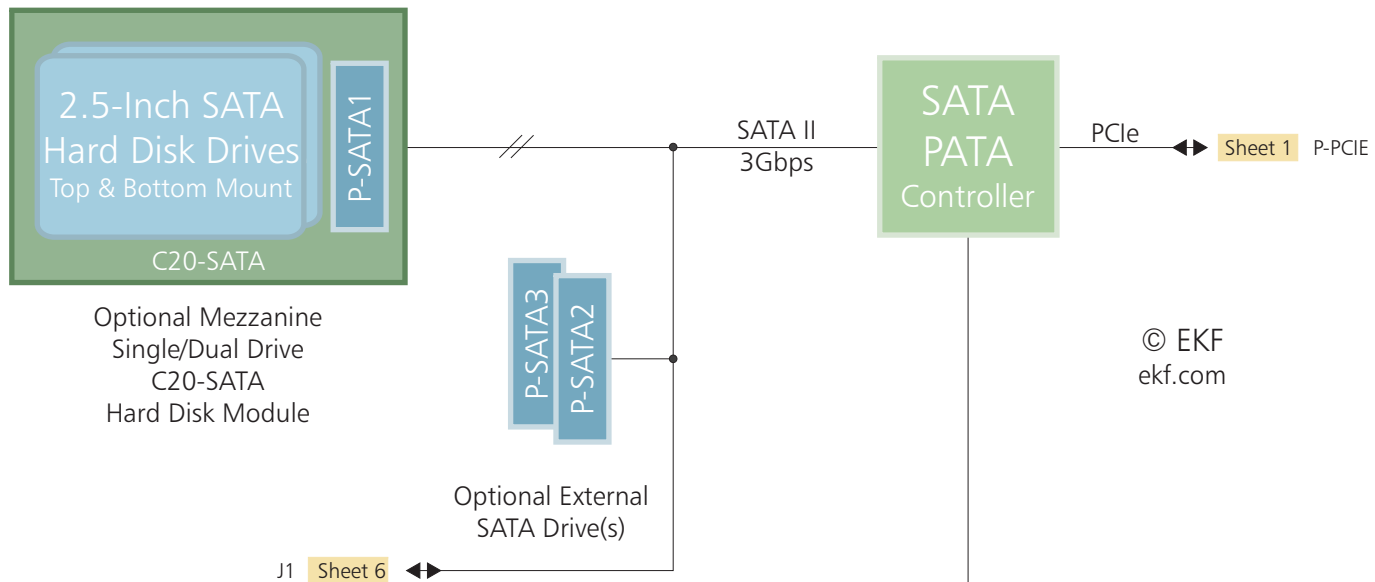




Simplified Block Diagram
CCI-RAP

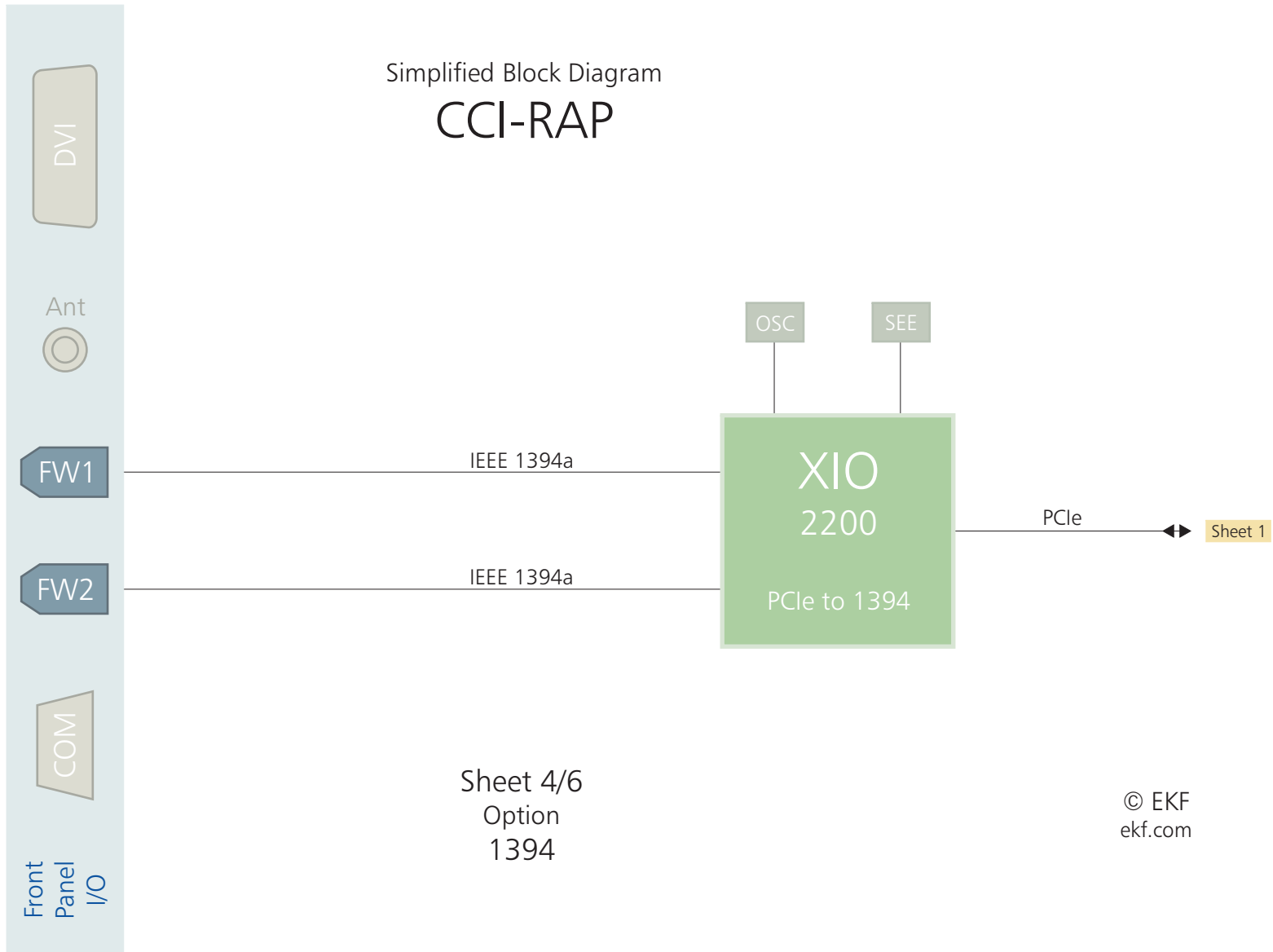
© EKF
ekf.com

Sheet 2/6
Option
Secondary DVI



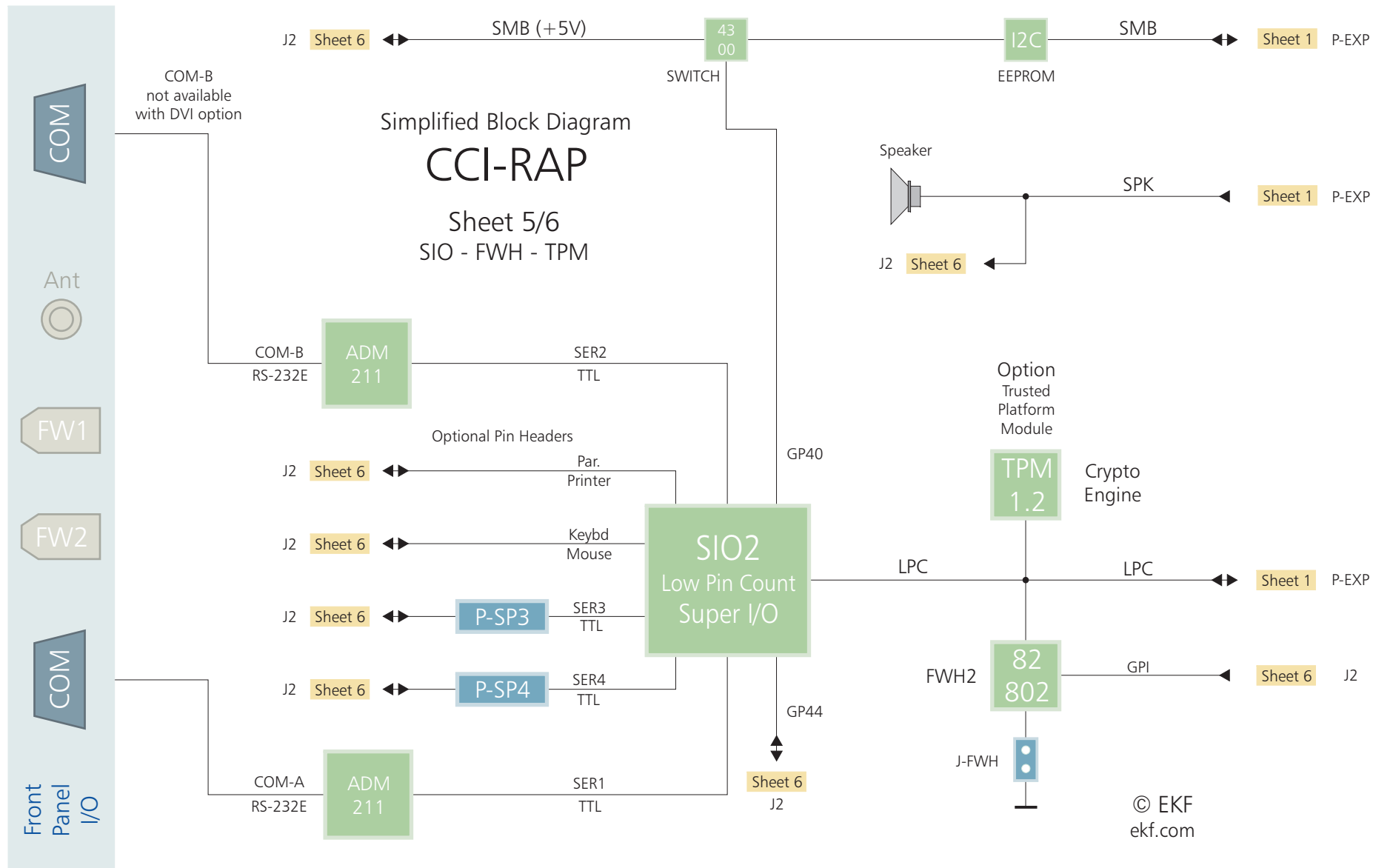
Simplified Block Diagram
CCI-RAP
Sheet 3/6
Option
SATA/PATA
Storage

Simplified Block Diagram CCI-RAP



Sheet 4/6
Option
1394

© EKF
ekf.com



Simplified Block Diagram
CCI-RAP

Sheet 6/6
J1 - J2
Rear I/O
Option

