



Product Information

CompactPCI[®] Hot Swap Multi-Processing CPU • CC8-BLUES

Document No. 2451 • Edition 10/2002

The CC8-BLUES was designed for CompactPCI[®] multi-processing systems, with several CPU boards sharing a common CPCI backplane. Likewise equipped with an Intel Celeron[®] or Pentium-III[®] up to 1GHz, the 3U single-size Eurocard provides for a dual IEEE 1394 port, Ethernet, USB and graphics interface.

A CompactFlash socket holds either an ATA Flash card (silicon disk) or an IBM Microdrive, useful as on-board mass storage and boot device.

With multi-processing systems and high density cluster computing in mind, several CC8-BLUES as slaves can coexist with any system-controller CPU acting as master on a common CompactPCI backplane. Due to its low-profile passive heatsink, the hot swap capable board requires only 4HP mounting space.

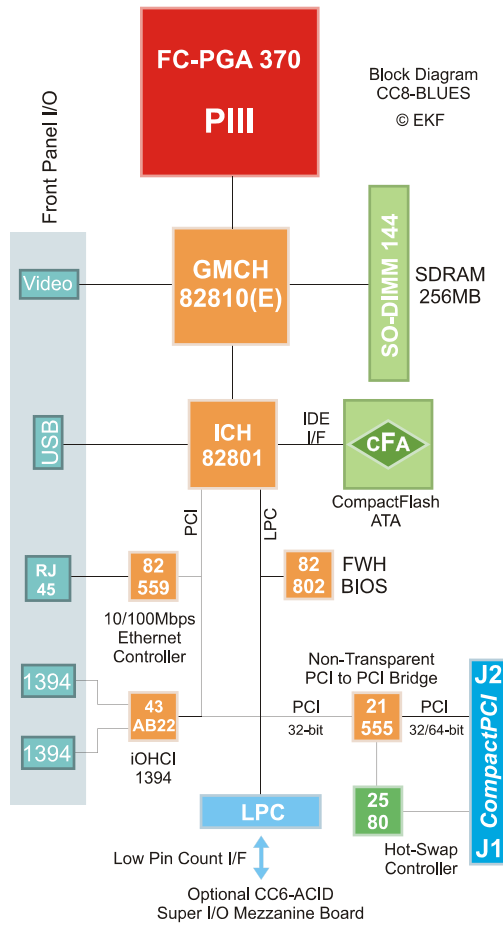
With a variety of different interfaces and its excellent computing power, the CC8-BLUES copes perfectly with any communications task.



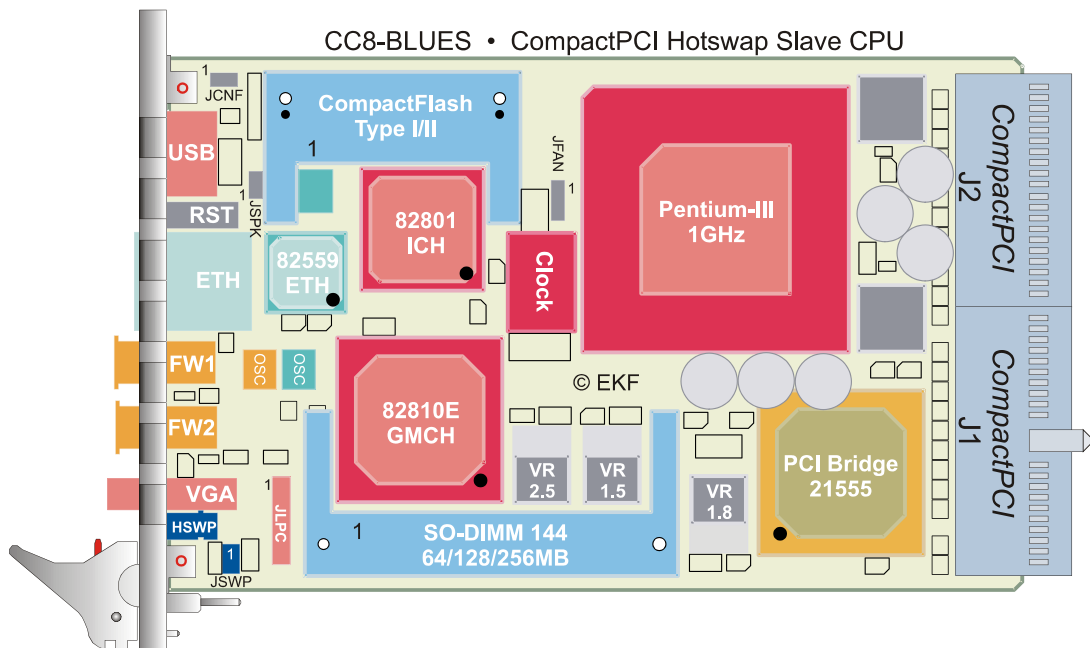
Summary of Features CC8-BLUES

Form Factor	Single size <i>CompactPCI</i> style Eurocard (160x100mm ²), front panel width 4HP (20.3mm)
Processor	Support for Intel® Celeron™ and Pentium® -III (0.18µ Coppermine series) processors, 370-pin PPGA or FC-PGA package
Chip Set	i810 or i810E chip set consisting of: <ul style="list-style-type: none"> • 82810 Graphics/Memory Controller Hub (GMCH) • 82801 I/O Controller Hub (ICH0) • 82802 Firmware Hub (FWH)
Memory	<ul style="list-style-type: none"> • 144-pin dual in-line memory module (SO-DIMM) socket, module height 1.1inch (28mm) max. • Support for up to 256MB, non ECC, unbuffered synchronous DRAM (SDRAM) • Support for serial presence detect (SPD) and non-SPD SO-DIMMs, PC-100 style
Video Output	Analog monitor output (front panel), up to 1280x1024 pixel 16M colours 85Hz refresh rate, HarLink connector (front panel, <i>Har-Link</i> to VGA adapter cable available)
USB I/O	Single type A connector (front panel), USB1.1, data transfer rate of up to 12Mbit/s, short-circuit protected by electronic power switch, nominal maximum current 0.5A
Ethernet I/O	100Base-Tx/10Base-T Fast-Ethernet controller, RJ45 connector (front panel), 100Mbps full-duplex, auto-negotiation
IEEE 1394 FireWire	Integrated 1394a-2000 OHCI PHY/Link-Layer Controller, dual ports, 6-position receptacles (front panel), 400Mbps data transfer rate, remote power distribution, short-circuit protected by electronic regulator, nominal maximum current 0.5A
Legacy I/O	LPC Super-I/O interface connector, CC6-ACID companion board with Super-I/O controller available
IDE/ATA	CompactFlash type II socket for CF ATA Flash cards and CF ATA Microdrives (Secondary IDE)
<i>CompactPCI</i>	32/64-bit, 33.3MHz, non-transparent PCI bridge 133/266MByte/s
Hot Swap Function	Board installing and removing without adversely effecting a running system, "Full Hot Swap" implementation according to CompactPCI Hot Swap Specification PICMG® 2.1
BIOS	General Software BIOS for embedded systems, 2..8Mbit Flash memory (Firmware Hub)

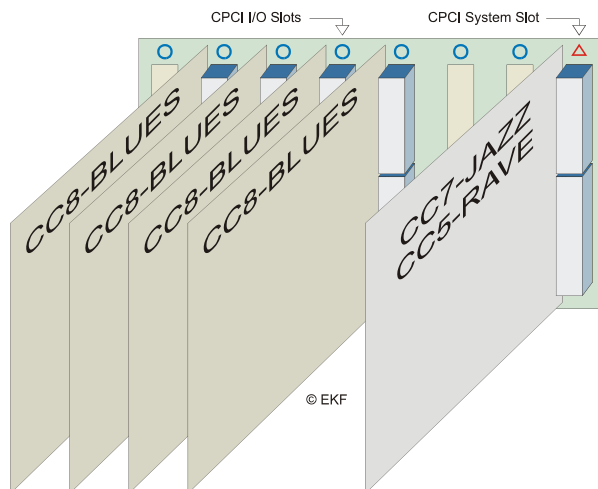
Block Diagram CC8-BLUES



Component Assembly Drawing CC8-BLUES



Several CC8-BLUES Sharing a Common CPCI Bus

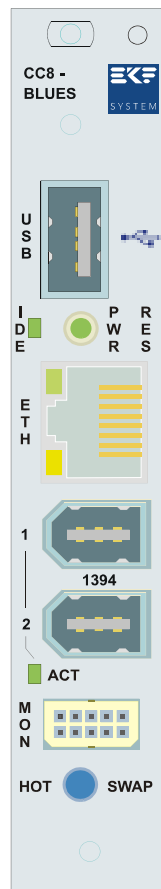


Typical Multi-Processing System

CC8-BLUES Top View (w/o Heatsink)



CC8-BLUES Front Panel Elements



Digital VOX Cluster System



Ordering Information		
Alias	Ordering No.	Short Description
BLUES	CC8-1-BLUES	CPCI 3U, FC-PGA 370 Hot Swap Multi-Processing Slave CPU, Celeron 733MHz, i810(E), USB, 100Mbps Ethernet, dual IEEE 1394 OHCI, SDRAM 64MB, CompactFlash ATA slot, local expansion I/F, width 4HP
BLUES	CC8-2-BLUES	Similar to CC8-1-BLUES, Pentium III 850MHz processor
BLUES	CC8-4-BLUES	Similar to CC8-1-BLUES, Pentium III 1GHz processor
	CC5-8-RAVE	128MB SDRAM option (instead of 64MB provided with the basic version of the CC8-BLUES), additional charge
	CC5-9-RAVE	256MB SDRAM option (instead of 64MB provided with the basic version of the CC8-BLUES), additional charge
ACID	CC6-1-ACID	3U Super-I/O module, local expansion board complementing the CC8-BLUES, front panel 8HP, mounting on top of the CC8-BLUES
ACID	CC6-3-ACID	Similar to the CC6-1-ACID, front panel 4HP, w/o parallel port, mouse/keyboard combined in one Mini-DIN connector (external splitter cable available as accessory), mounting on top or to the bottom side of the CC8-BLUES
	CR9-1-ADAPT	Mechanical kit, expands the CC8 front panel to 6U full height
	250.0205.30.03	VGA adapter cable 0.5m, video cable assembly for CC8-BLUES, metric I/O connector to HD-SUB15 female connector
	280.7.400	Keyboard/mouse splitter cable, male mini-DIN plug to dual female mini-DIN jacks (required for CC6-3 only)

EKF Elektronik GmbH
 Philipp-Reis-Str. 4
 59065 HAMM
 Germany



Internet <http://www.ekf.de>
 Fax. +49 (0)2381/6890-90
 Tel. +49 (0)2381/6890-0
 E-Mail info@ekf.de